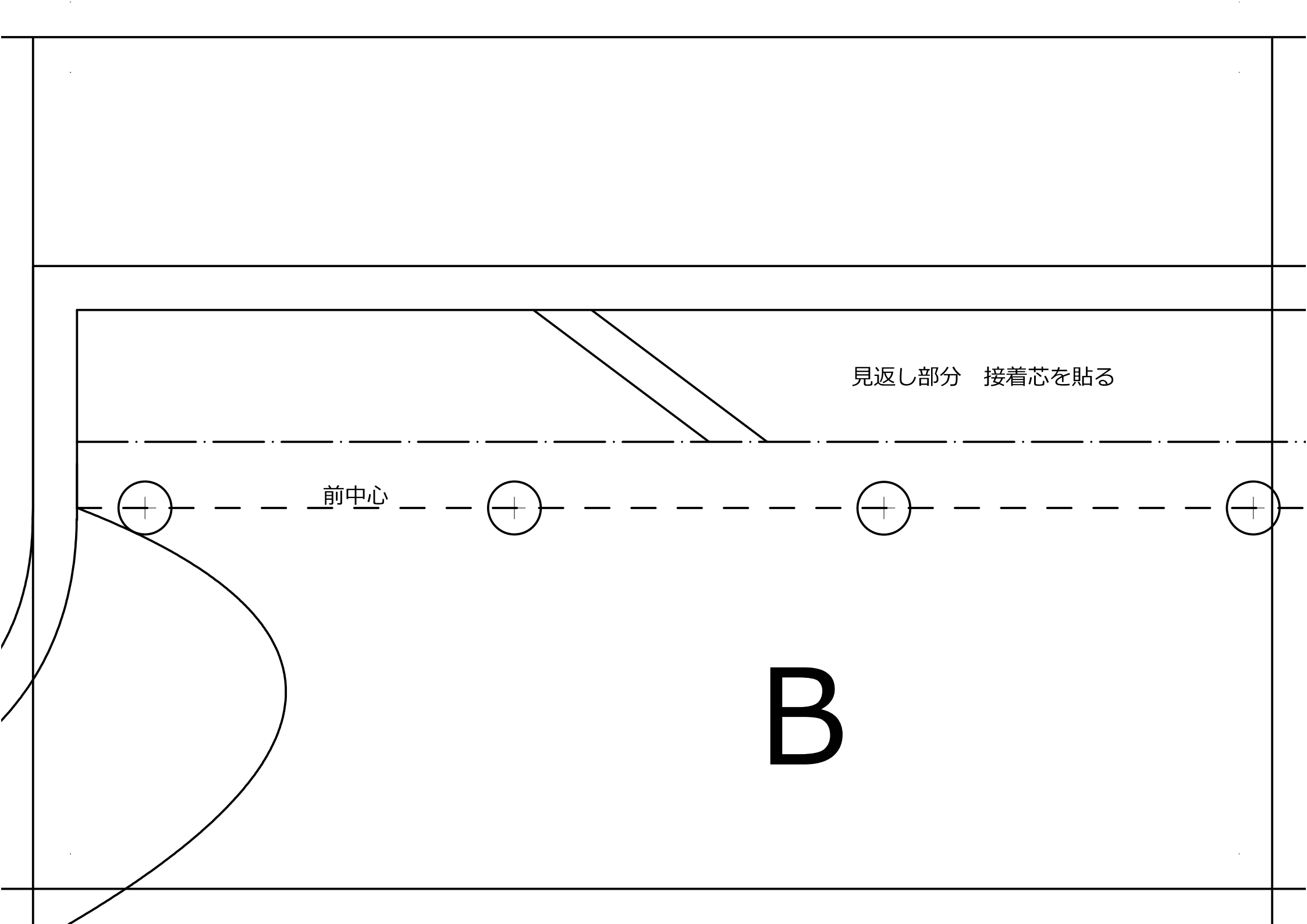
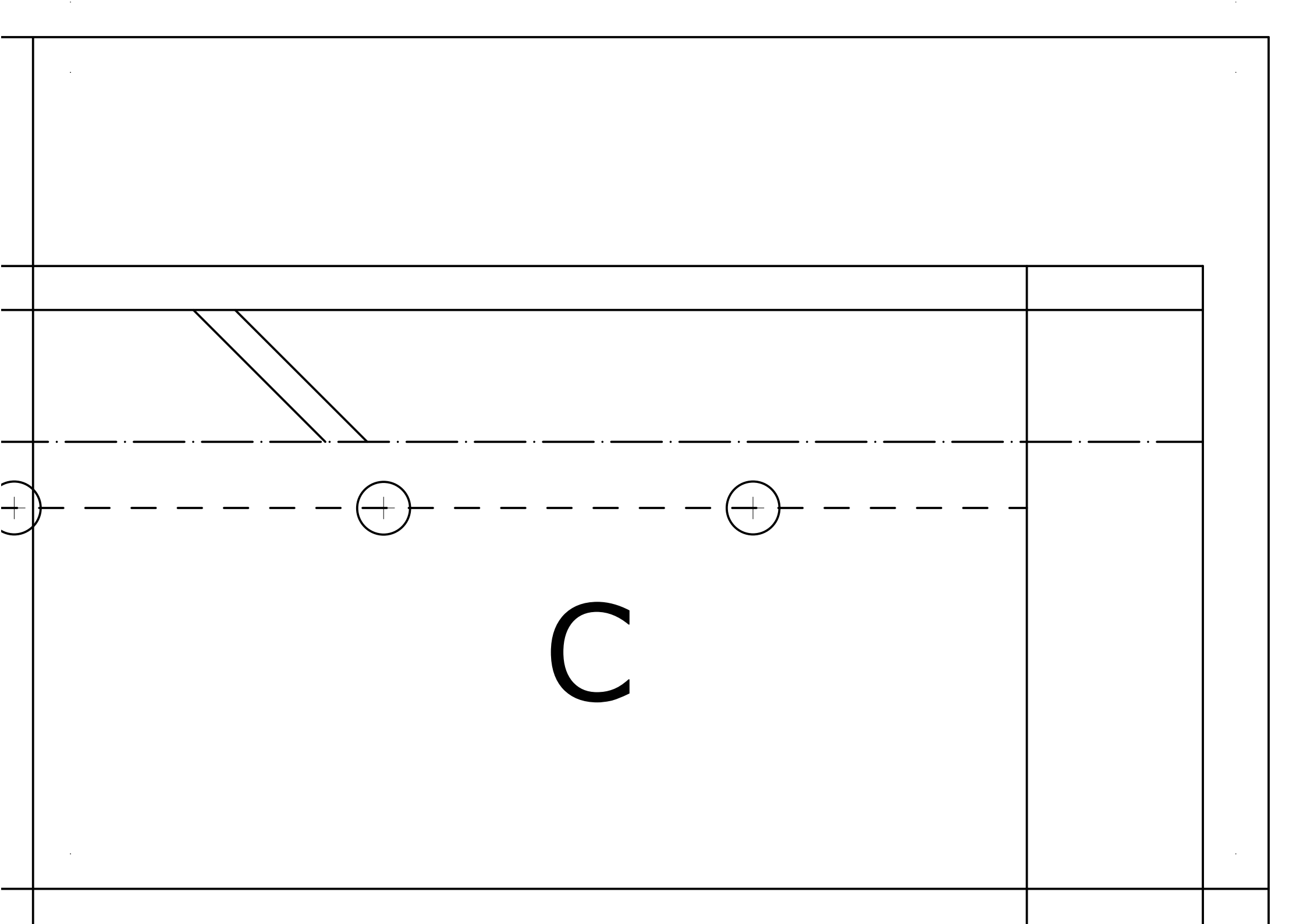
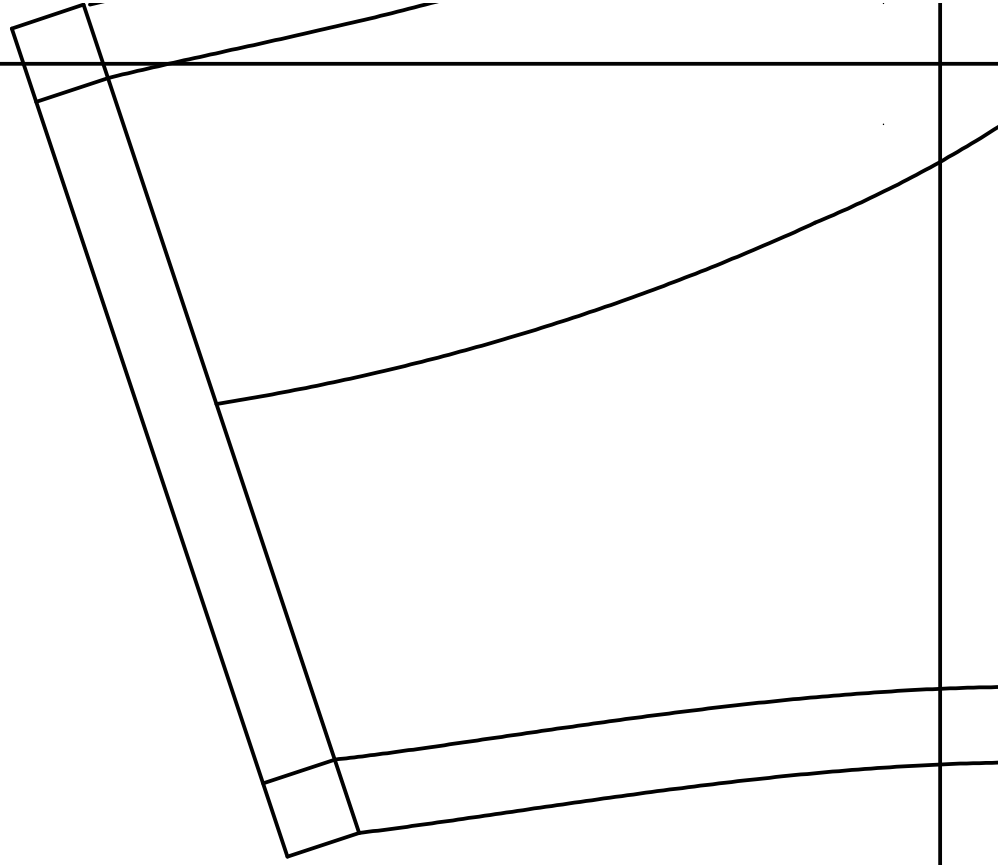


A

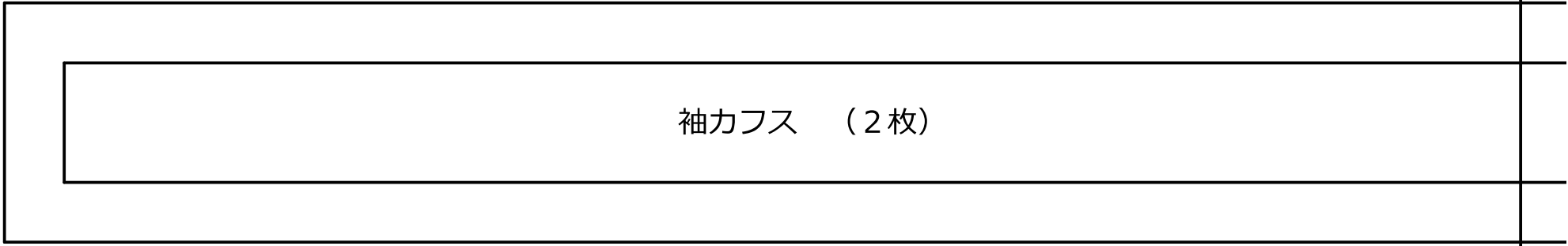


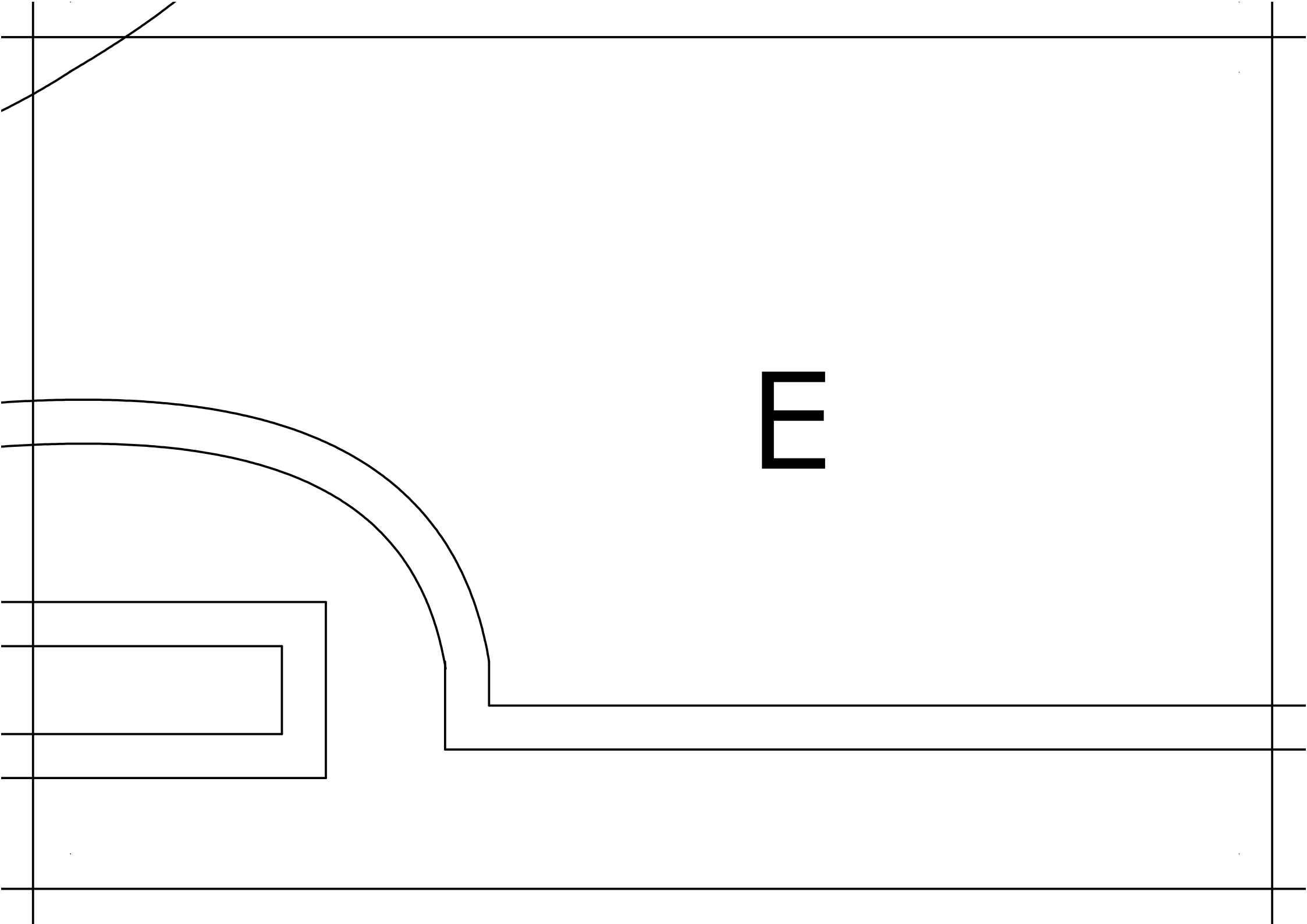


D



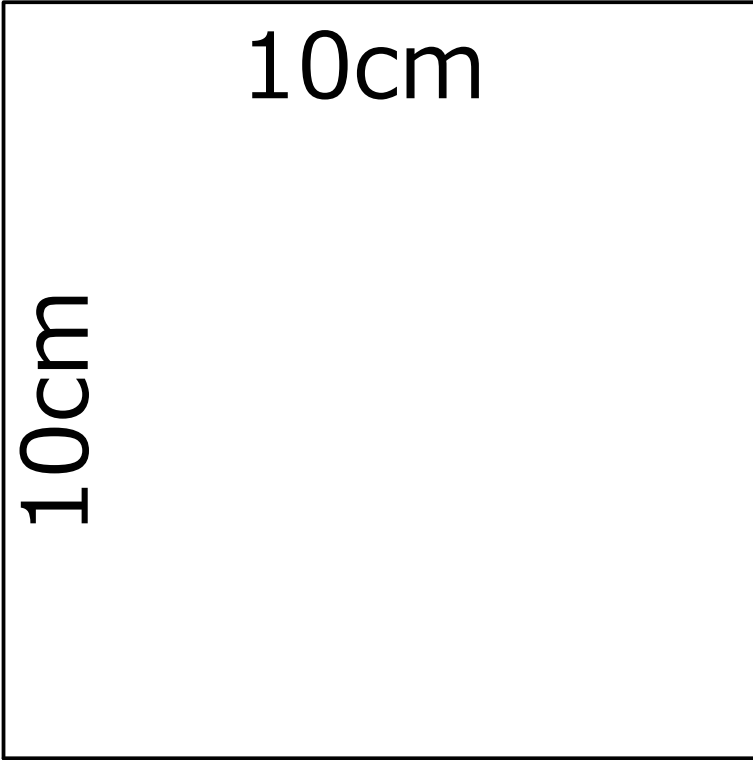
袖カフス (2枚)





E

F



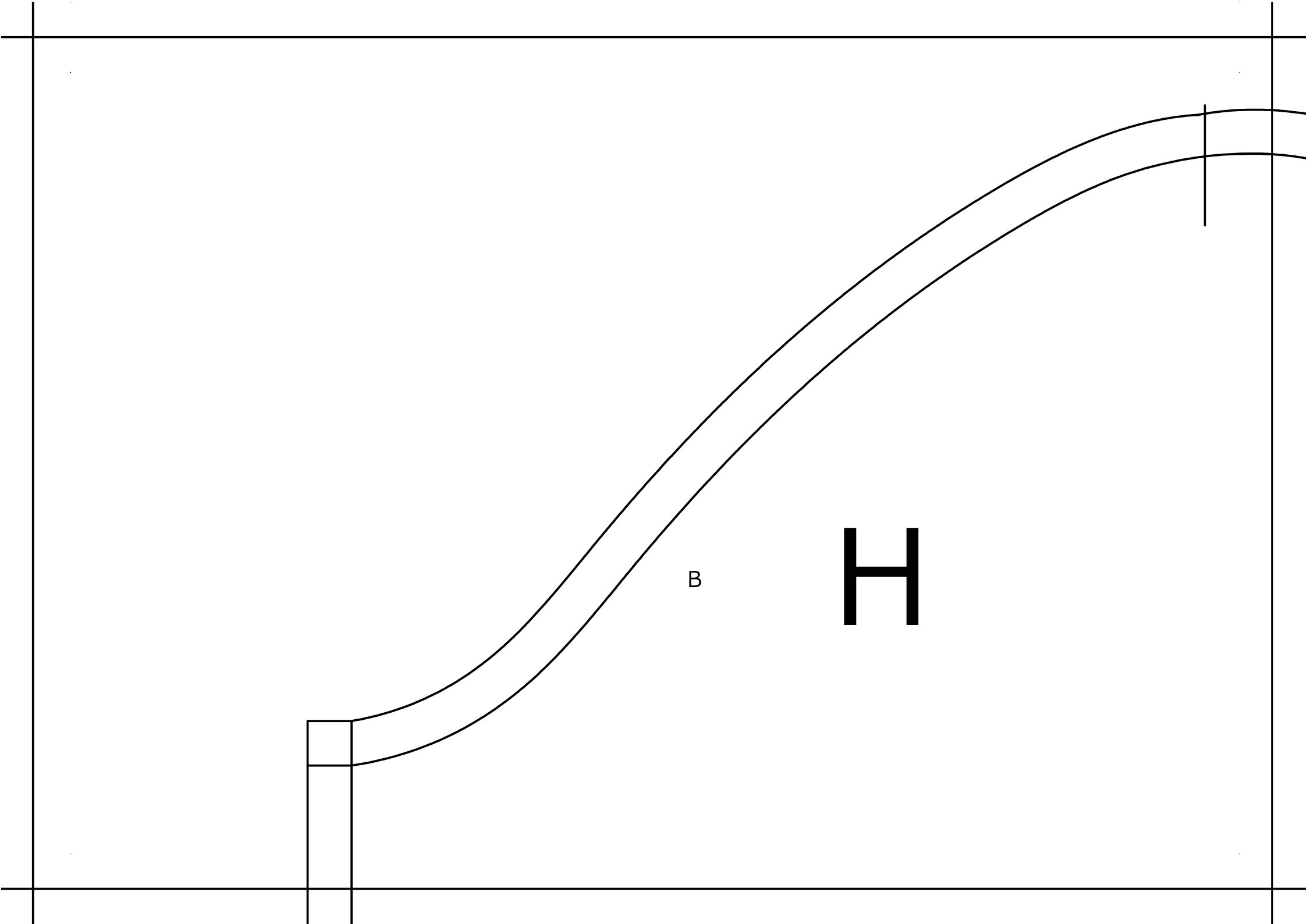
10cm

10cm



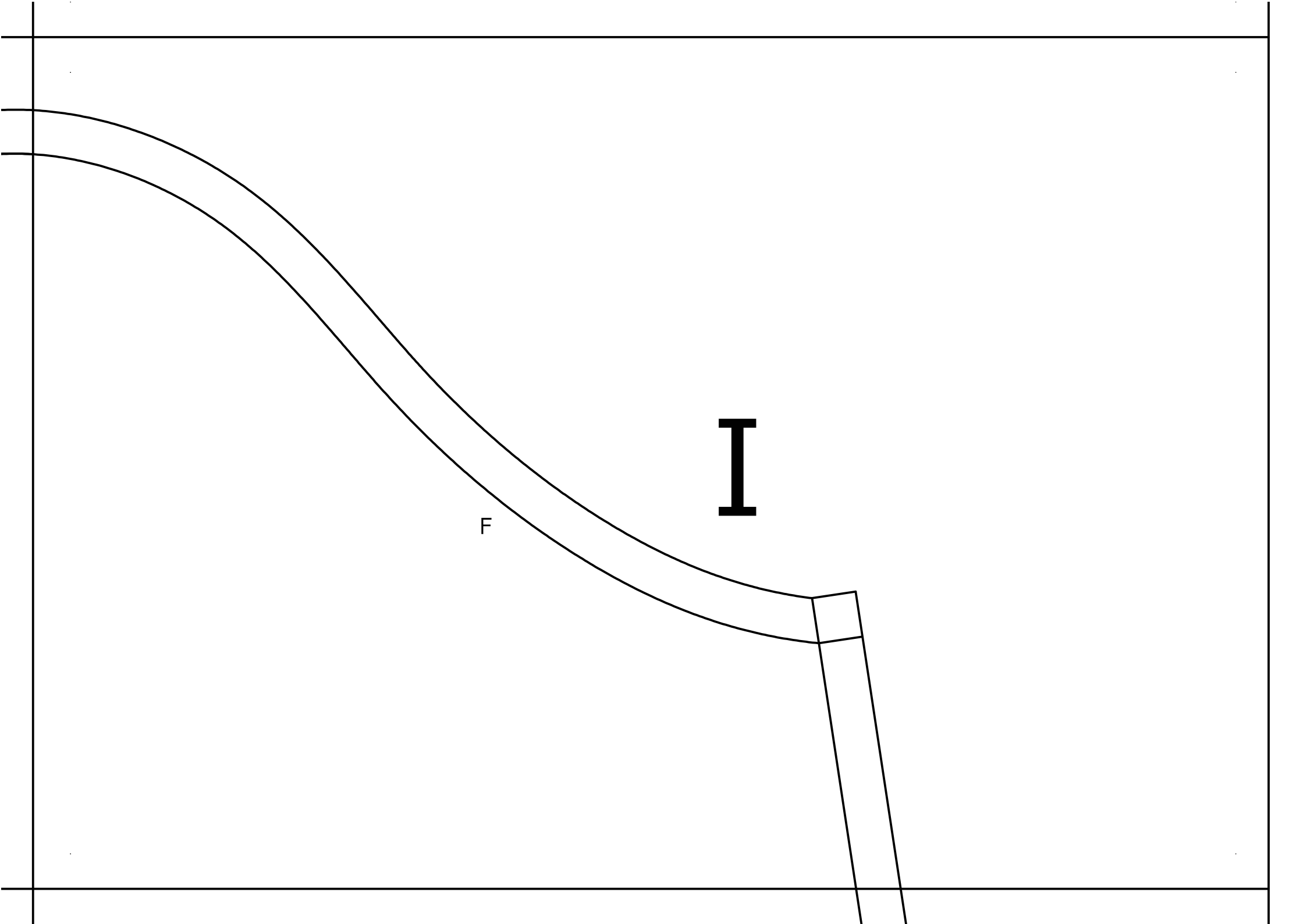
The image shows a technical drawing of a curved, flared object, possibly a lampshade or a decorative piece. The drawing is composed of two main outlines: an inner curve and an outer curve that flares outwards. The top edge of the object is slightly irregular, suggesting a specific construction or material. A large, bold, black letter 'G' is centered within the object. The drawing is set against a white background with a thin black border.

G

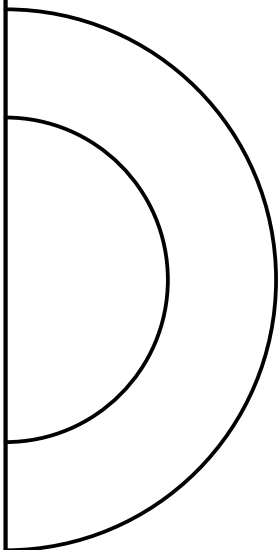


B

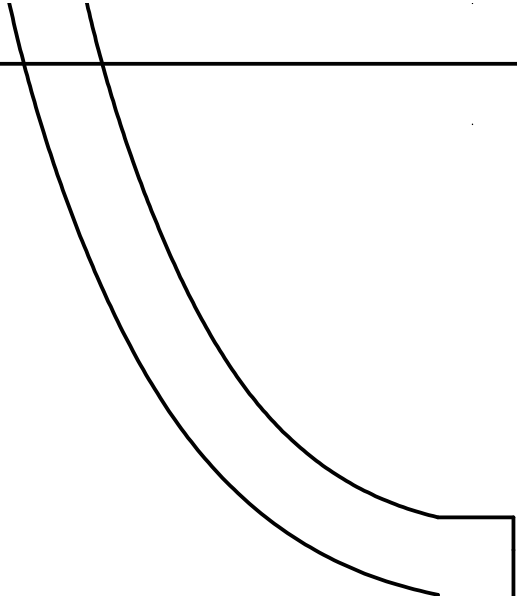
H



わ

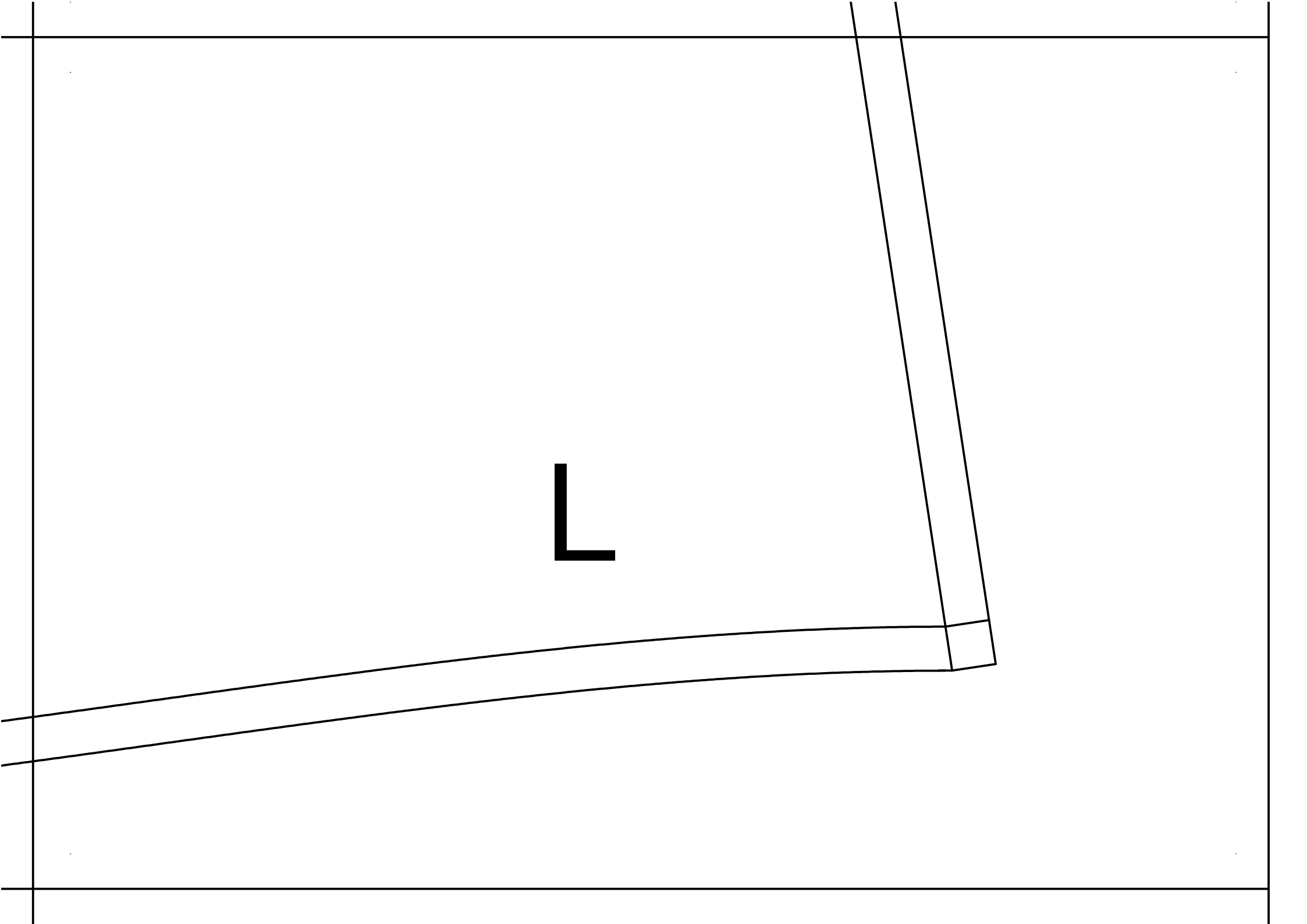


J

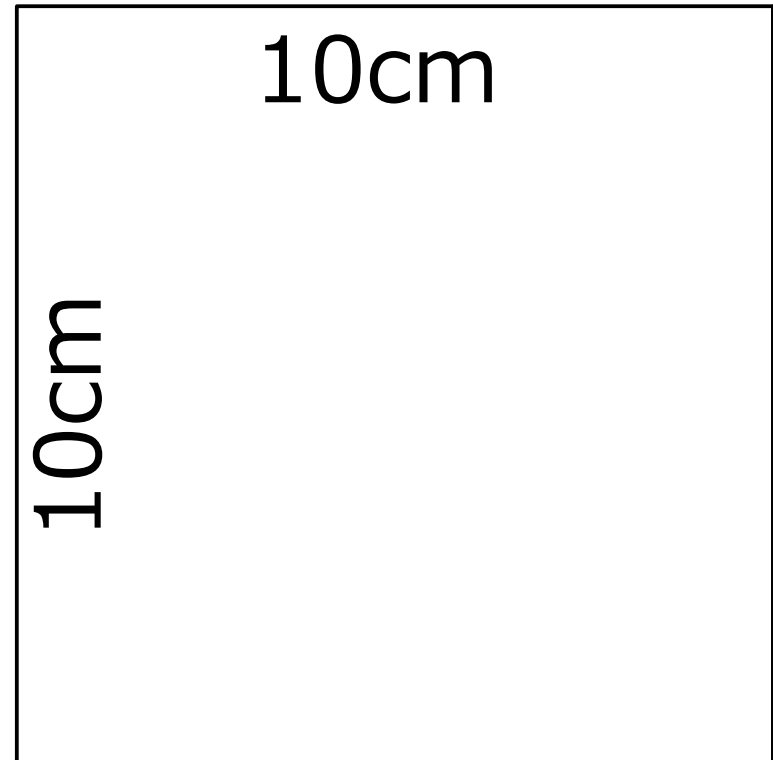


A diagram consisting of a rectangular frame defined by thin black lines. The frame is composed of a top horizontal line, a bottom horizontal line, a left vertical line, and a right vertical line. A curved line is drawn near the bottom of the frame, starting from the left vertical line and extending towards the right vertical line. The curve is shallow and concave up. In the center of the frame, there is a large, bold, black letter 'K'.

K



M



P